



WARDS
SEA KING

**OUTBOARD
MOTOR**

PARTS CATALOG

MW-58

55

O.B.C. CERTIFIED BRAKE H.P. AT 5250 R.P.M.

MODEL

VWB-27255

VWB-27256

11/71

Printed in U.S.A.

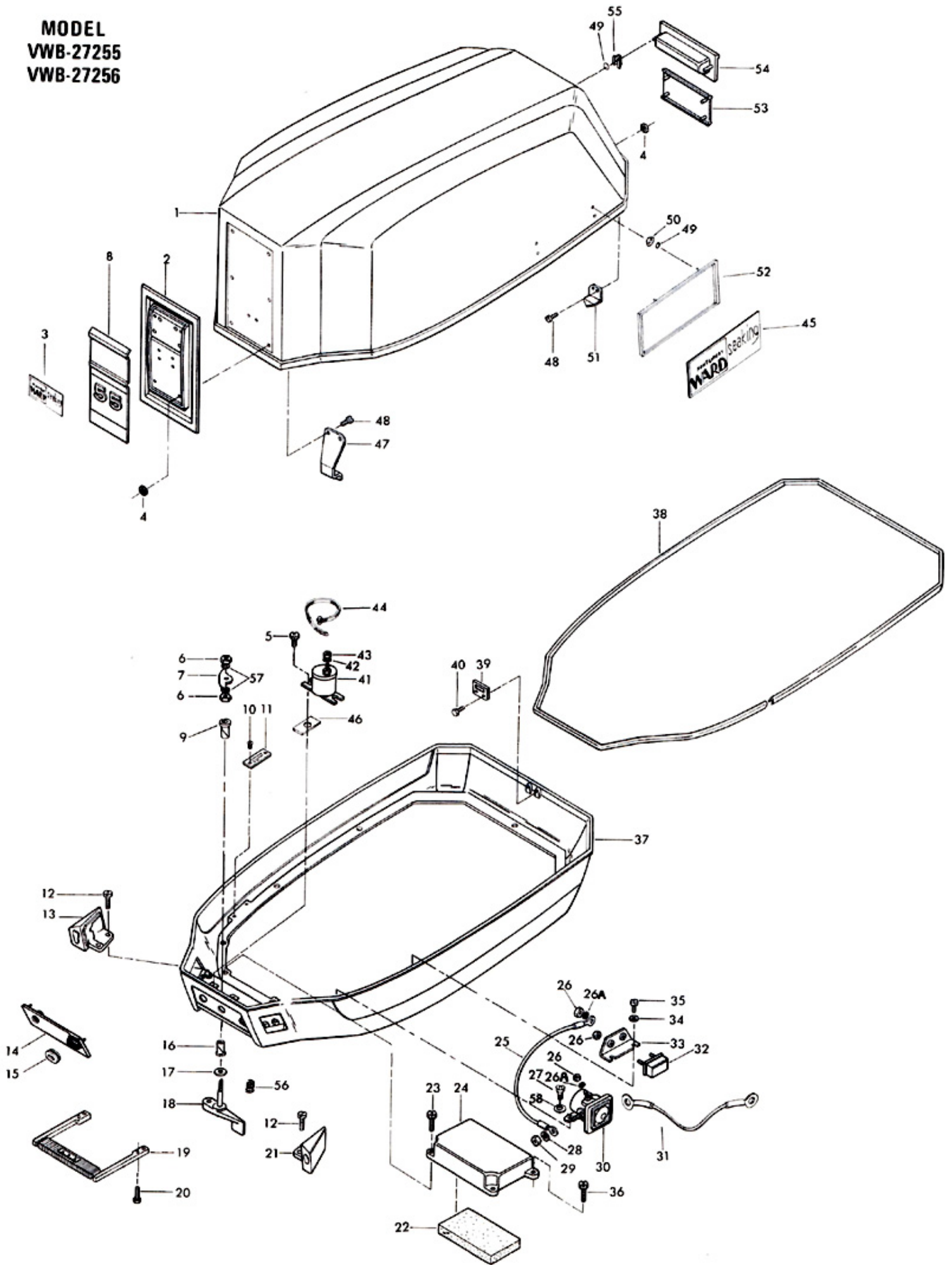
SEA KING—SOLD EXCLUSIVELY BY **MONTGOMERY WARD**

ENGINE COVER AND SUPPORT PLATE

ILLUS. NO.	PART NO.	QTY.	DESCRIPTION
1	S452712	1	Engine cover w/retainers, tilt handle and fasteners
2	402512	1	Plate, front
3	A452512	1	Insert, front plate
4	7011	4	Elastic stop nut, 10 - 24
5	1241	2	Hex hd screw, 1/4 - 20 x 9/16
6	1518	2	Hex nut, S.S., 5/16 - 18
7	89777-1	1	Latch cam
8	453893	1	Plate insert "55"
9	307818	1	Bearing, latch shaft
10	1293	2	Drive screw, 2 x 3/16
11	A197395-2	1	Plate, identification
12	1733	4	Pan hd screw, 10 - 24 x 9/16
13	402189	1	Bushing, cable entry
14	312888	1	Panel, support plate
15	289899	1	Grommet, battery cable entry
16	307818	1	Bearing, latch shaft
17	1739	1	Plain washer
18	A312763	1	Cover latch handle w/shaft
19	312647	1	Carrying handle
20	1199	4	Hex hd machine screw, 1/4 - 20 x 1
21	402477	1	Bushing, electric cable entry
22	307860	1	Intake silencer
23	1198	2	Hex hd machine screw, 1/4 - 20 x 1
24	A307779	1	Baffle, air intake
25	307683	1	Wire, circuit breaker
26	1513	5	Hex nut, 10 - 32
26A	1975	3	Spring lockwasher
27	1238	8	Hex cap screw, 1/4 - 20 x 3/4
28	8096	2	Lockwasher
29	1615	2	Hex nut, S.S., 5/16 - 24
30	177917	1	Starter relay
31	319908	1	Ground wire
32	91460-2	1	Circuit breaker
33	91446-1	1	Circuit breaker bracket
34	8012	2	Plain washer
35	1089	2	Fill hd screw, 10 - 24 x 9/16
36	1914	2	Hex hd machine screw, 1/4 - 20 x 3/4
37	312038	1	Support plate
38	309756	1	Support plate packing
39	312774	1	Bracket, rear retainer
40	1481	2	Hex cap screw, 1/4 - 20 x 9/16
41	289924	1	Choke solenoid
42	8056	1	Spring lockwasher
43	1647	1	Hex nut, 8 - 32
44	1877	1	Ty-rap
45	A451892	2	Insert, side plate
46	2775595	2	Washer, choke solenoid
47	A312778-1	1	Engine cover retainer, forward w/screws and nuts
48	1475	4	Fill hd screw, S.S., 10 - 24 x 1/2
49	85735	27	Seal
50	1753	27	Fastener
51	A312480	1	Engine cover retainer w/screws and nuts
52	451392	2	Side plate
53	453180	1	Trim, rear "55"
54	401269	1	Tilt handle
55	9037	2	Fastener
56	309300	1	Spring
57	8096	2	Spring lockwasher
58	8094	1	Plain washer
	453385	1	Decal "Alternator Electric" (not shown)

ENGINE COVER AND SUPPORT PLATE

MODEL
VWB-27255
VWB-27256



ALTERNATOR AND ELECTRICAL SYSTEM

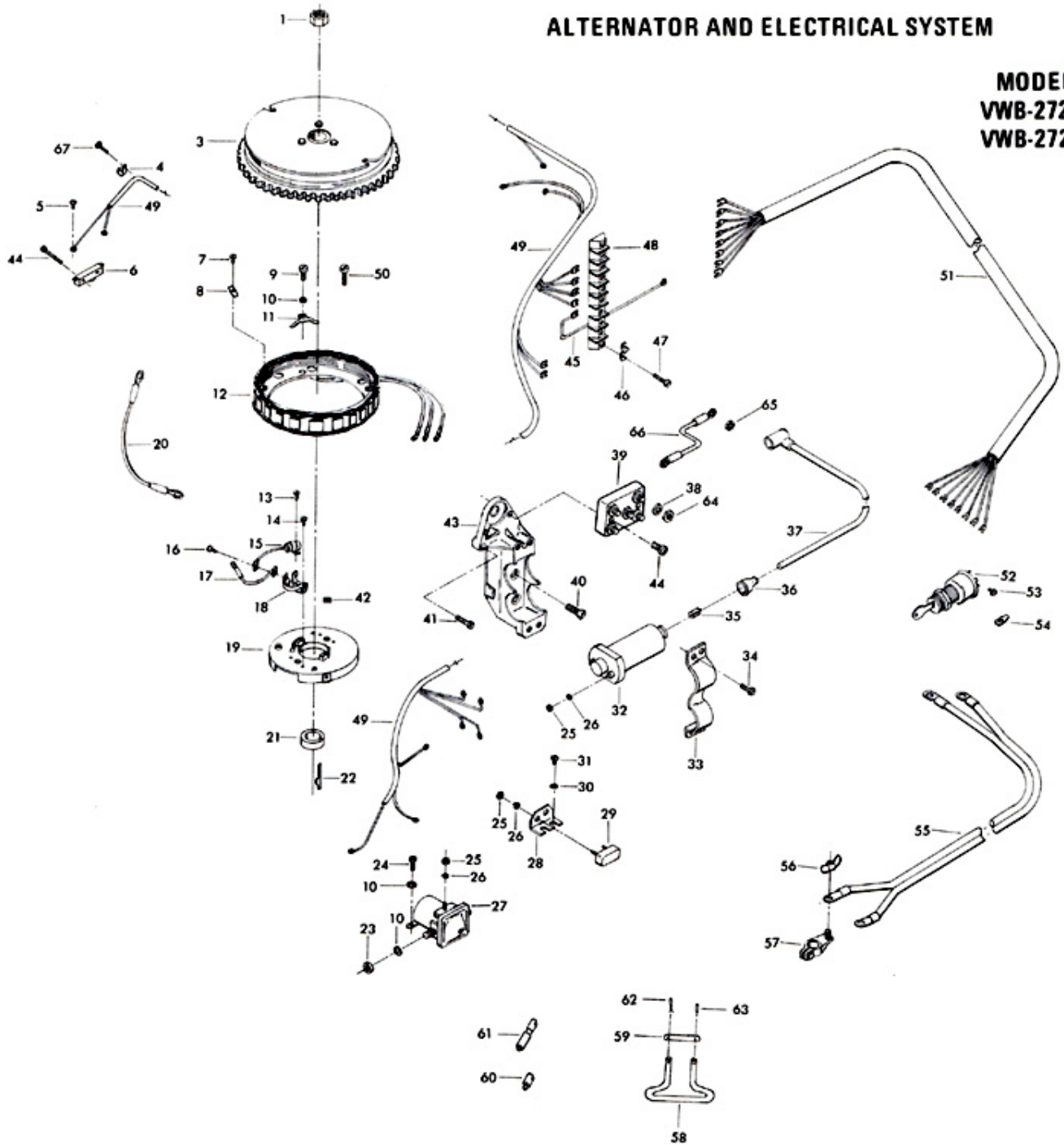
ILLUS. NO.	PART NO.	QTY.	DESCRIPTION	ILLUS. NO.	PART NO.	QTY.	DESCRIPTION
1	1920	1	Hex nut, 5/16 - 18	38	8056	5	Spring lockwasher
2	1958	1	Pan hd screw, 6 x 7/16	39	311450	1	Rectifier
3	203097-4	1	Flywheel	40	1164	2	Flat hd screw, 1/4 - 20 x 1 1/8
4	92446	1	Clamp	41	1198	1	Hex slot hd screw, 1/4 - 20 x 1
5	1645	2	Round hd screw, 6 - 32 x 1/4	42	12227	2	Cam wiper felt
6	84449	1	Neutral interlock switch	43	311501	1	Coil mount
7	12167	2	Screw	44	1654	4	Fill hd machine screw, 1/4 - 20 x 1
8	12172	2	Terminal				Lead wire, thermoswitch
9	1130	1	Fill hd screw, 5/16 - 18 x 5/8	45	307104	1	Clip, terminal block ground
10	8096	5	Spring lockwasher	46	307317	1	Pan hd screw, 10 - 24 x 5/8
11	91479	3	Breaker plate shoe	47	1797	2	Terminal block
12	268095	1	Stator	48	289497-1	1	Wiring harness
13	12083	2	Screw	49	311744-2	1	Fill hd screw, 5/16 - 18 x 1
14	12090	4	Screw	50	1123	2	Electric control cable
15	12139	2	Condenser	51	85843	1	Ignition switch w/key and mounting nut
16	12189	2	Screw	52	A296918-1	1	Pan hd screw, 8 - 32 x 1/4
17	12174	2	Primary interlead wire	53	1280	5	Slide terminal
18	12329	2	Breaker point set	54	203673	2	Battery cable
19	355029	1	Breaker plate w/condenser, points and screws	55	381896-4	1	Wing nut
20	289664	1	Wire, stator ground	56	381797	2	Battery terminal
21	268002-2	1	Breaker cam	57	381898	2	Remote steering bracket
22	92498	1	Key	58	A111698-1	1	Remote steering bracket latch
23	1615	2	Hex nut, S.S., 5/16 - 24	59	111694-1	1	Rod end connector (shift)
24	1238	2	Fill hd screw, 1/4 - 20 x 3/4	60	58685-2	1	Rod end plunger assembly (throttle)
25	1513	9	Hex nut, 10 - 32	61	A58976-1	1	Cotter pin
26	1975	7	Lockwasher	62	1020	1	Spring pin
27	177917	1	Starter relay	63	8535	1	Hex nut, 8 - 32
28	91446-1	1	Circuit breaker bracket	64	1647	4	Spring lockwasher
29	91460-2	1	Circuit breaker	65	8063	1	Wire, ground
30	8012	2	Plain washer	66	345683	1	Hex hd screw, 1/4 - 20 x 5/8
31	1089	2	Fill hd screw, 10 - 24 x 9/16	67	1239	1	Decal, wiring (not shown)
32	2A91475-2	2	Coil w/boot, clip, washer and nut		290398-1	1	Sparkie Kit (not shown)
33	311513	1	Coil clamp		K-750-1	2	Emergency starter rope (not shown)
34	1502	4	Hex hd cap screw, 1/4 - 20 x 5/8		A27232	1	
35	203673	2	Coil clip				
36	203276	2	Coil boot				
37	307664-1	2	Lead wire				

STARTER

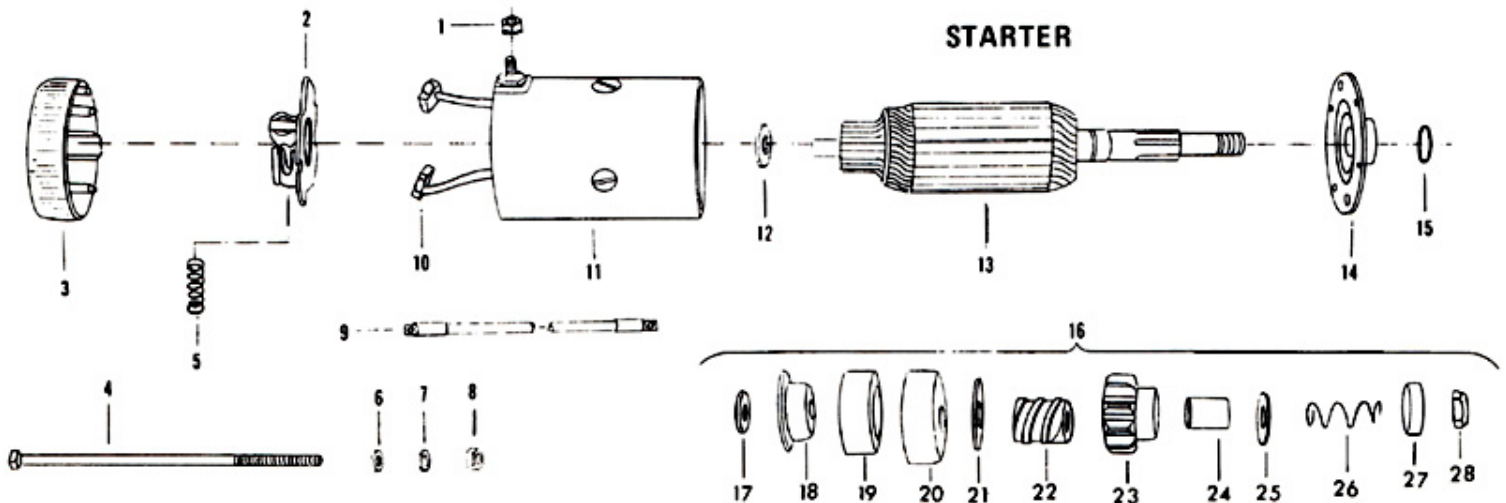
ILLUS. NO.	PART NO.	QTY.	DESCRIPTION	ILLUS. NO.	PART NO.	QTY.	DESCRIPTION
1	15072	1	Hex lock nut, 1/4 - 20	16	15013	1	Bendix drive
2	15038	1	Brush plate and holder	17	15092	1	Spacer
3	15037	1	Head assembly, commutator end	18	15093	1	Washer
4	15036	2	Thru bolt package	19	15082	1	Cushion
5	15034	1	Spring set	20	15083	1	Cup
6	8028	2	Plain washer	21	15091	1	Washer
7	8060	2	Lockwasher	22	15084	1	Screw shaft
8	1514	2	Hex nut, 1/4 - 20	23	15090	1	Pinion
9	307908	1	Starter lead	24	15085	1	Sleeve
10	15042	1	Brush set	25	15089	1	Washer
11	15043	1	Frame and field assembly	26	15088	1	Spring
12	15073	1	Thrust washer package	27	15086	1	Stop
13	15044	1	Armature	28	15087	1	Nut
14	15021-1	1	Head assembly, drive end		A201955	1	Starter motor, complete
15	15000	1	"O" ring seal				

ALTERNATOR AND ELECTRICAL SYSTEM

MODEL
VWB-27255
VWB-27256



STARTER



CARBURETOR

ILLUS. NO.	PART NO.	QTY.	DESCRIPTION
1	* 010588	1	Body channel cup plug
2	03804	1	Throttle shaft position retaining screw washer
3	06396	1	Throttle shaft position retaining screw lockwasher
4	06393	1	Throttle shaft position retaining screw
5	016125	1	Choke shaft and lever
6	184579	3	Seal, choke arm swivel
7	184033-1	1	Swivel choke rod
8	1059	1	Fill hd screw, 6 - 32 x 1/4
8A	433925	1	Choke solenoid rod
9	391926-1	1	Choke solenoid plunger
9A	8513	1	Groove pin
10	8088	1	Plain washer
11	1014	1	Cotter pin
12	* 015729	1	Choke shaft return spring
13	015725	1	Choke relief valve
14	* 011103	1	Idle mixture screw spring
15	* 013946	1	Idle mixture screw
16	* 010280	2	Choke shutter retaining screw and lockwasher
17	015724	1	Choke shutter
18	010883	1	Choke relief valve spring
19	010165	1	Inlet seat gasket
20	* 010790	1	Inlet needle, seat and gasket
21	* 013944	1	Float lever pin
22	10004	1	Repair parts kit, includes all items marked with an asterisk (*)
23	015623	1	Fuel bowl gasket
24	02510	2	Fuel bowl retaining screw gasket
25	013552	1	Fuel bowl
26	013945	1	Fuel bowl retaining screw
27	013554	1	Float
28	* 015213	1	Main nozzle
29	* 013193	1	Main fuel jet (.088) (Standard)
30	1516	2	Hex nut, 5/16 - 18
31	* 10000	1	Gasket set
32	333316	1	Throttle roller shaft
33	92759	1	Roller
34	015728	1	Throttle shaft and lever
35	1770	1	Stop nut, 8 - 32
36	* 014292	1	Throttle shaft return spring
37	106118	1	Throttle shutter
38	* 08942	2	Throttle shutter retaining screw and lockwasher
39	40906-1	1	Flange gasket
40	* 04326	1	Body channel welch plug
41	307314	1	Carburetor elbow
	435061-1	1	Carburetor complete (WB15B) (not shown)

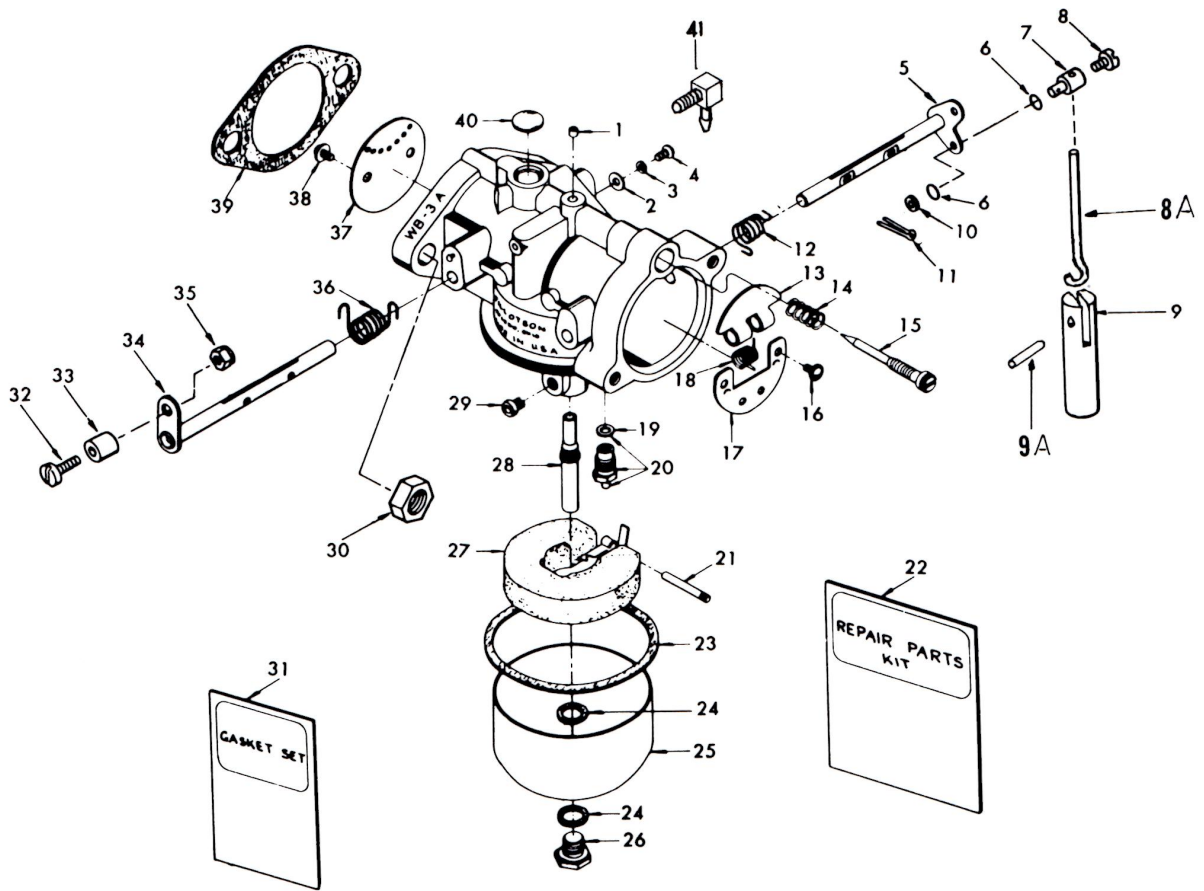
OPTIONAL SIZE MAIN FUEL JETS (Use Only At Altitudes Indicated)

	<u>Sea Level-1250 Ft.</u>	<u>1250-3750 Ft.</u>	<u>3750-6250 Ft.</u>	<u>6250-8250 Ft.</u>
Size	.088	.086	.084	.082
Part No.	013193	013949	014302	014109

Order by Part Number and Name, giving Motor Model and Serial Number

CARBURETOR

MODEL
VWB-27255
VWB-27256

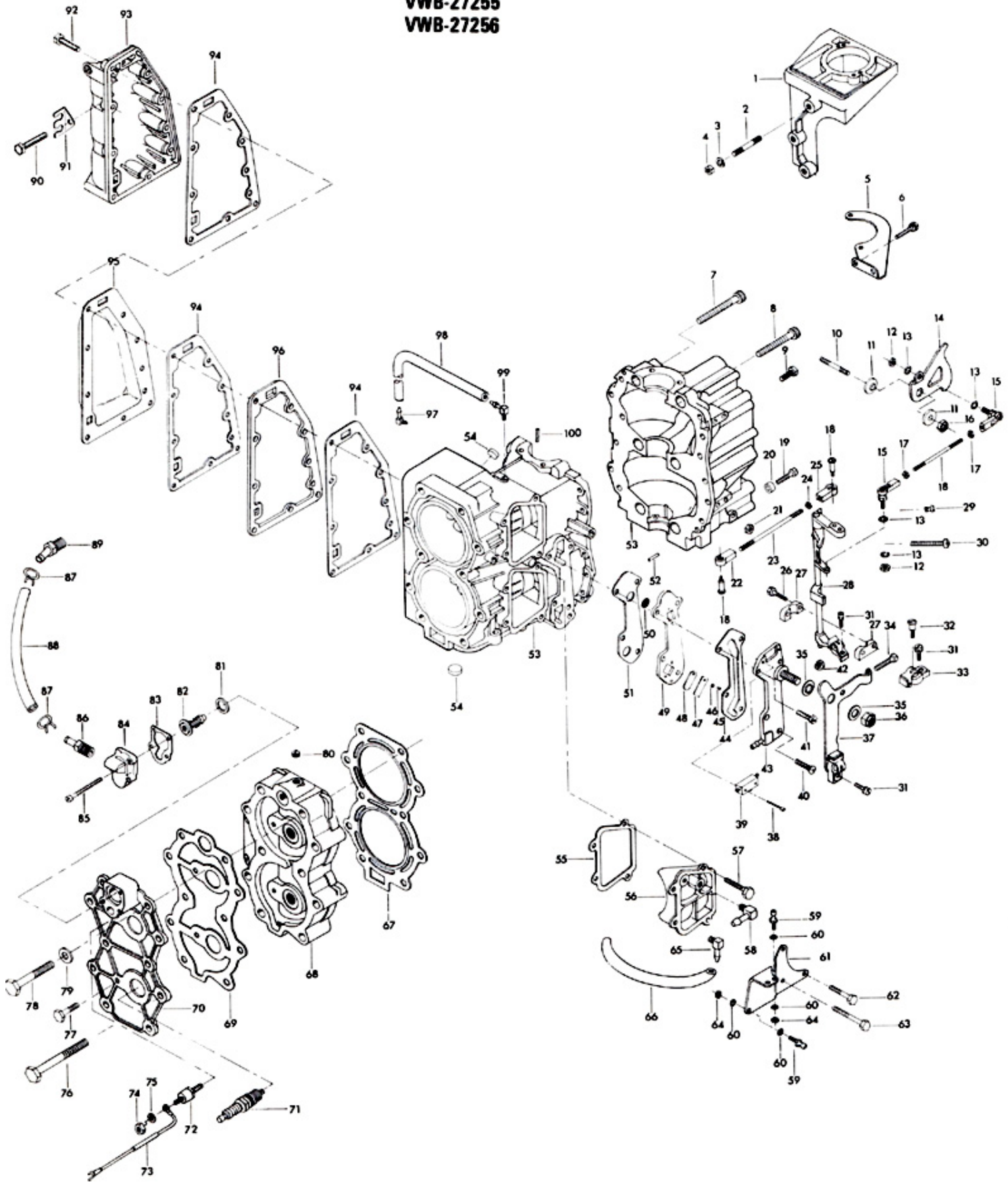


POWER HEAD

ILLUS. NO.	PART NO.	QTY.	DESCRIPTION	ILLUS. NO.	PART NO.	QTY.	DESCRIPTION
1	345427-1	1	Bracket, starter mounting	54	1524	2	Welch plug
2	307211	3	Stud	55	40223	2	Transfer port cover gasket
3	8096	3	Spring lockwasher	56	A411222	2	Transfer port cover
4	1516	3	Hex nut, 5/16 - 18	57	1481	4	Hex slot hd screw, 1/4 - 20 x 9/16
5	433675	1	Starter mounting bracket, lower	58	84314-1	2	Elbow, fuel line
6	1241	2	Hex slot hd screw w/lockwasher, 1/4 - 20 x 9/16	59	98273	2	Rod end connector stud
7	1646	1	Hex socket hd cap screw, 3/8 - 16 x 2 1/4	60	8058	4	Internal tooth lockwasher
8	1879	5	Hex socket hd cap screw, 3/8 - 16 x 1 5/8	61	267371-1	1	Connector stud bracket
9	1914	12	Hex slot hd screw, 1/4 - 20 x 3/4	62	1578	1	Hex slot hd screw, 1/4 - 20 x 7/8
10	27209-1	1	Stud, throttle cam	63	1238	2	Hex slot hd screw, 1/4 - 20 x 3/4
11	269319	2	Throttle cam bearing	64	1340	2	Hex nut, 10 - 32
12	1340	2	Hex nut, 10 - 32	65	2738314-1	1	Elbow
13	8058	4	Internal tooth lockwasher	66	433254	1	Hose
14	433192	1	Throttle cam	67	201529-1	1	Cylinder head gasket
15	A269141-1	2	Ball joint w/bearing	68	A311518-3	1	Head, cylinder
16	1910	1	Elastic stop nut, 1/4 - 20	69	311996	1	Cylinder head cover gasket
17	1340	2	Hex nut, 10 - 32	70	311995-1	1	Cylinder head cover
18	84026	2	Spark control swivel	71	S174227	2	Spark plug (L-4-J)
19	1134	2	Fill hd screw, 8 - 32 x 1 1/8	72	A311449-1	1	Thermoswitch
20	307942-1	2	Bumper	73	307104	1	Thermoswitch wire
21	1770	2	Stop nut, 8 - 32	74	1647	1	Hex nut, 8 - 32
22	84036	1	Spark control bearing, L.H.	75	8056	1	Lockwasher
23	269445	1	Spark control link	76	1775	1	Hex hd cap screw, 3/8 - 16 x 2 3/4
24	1473	1	Hex nut, 10 - 24	77	1502	1	Hex cap screw, 1/4 - 20 x 5/8
25	84035-2	1	Spark control bearing, R.H.	78	1544	9	Hex hd cap screw, 3/8 - 16 x 2 1/4
26	1050	4	Fill hd screw, 10 - 24 x 1	79	8039	9	Plain washer
27	433689	4	Towershaft bearing	80	19109	1	Plug, cylinder head
28	A433838	1	Towershaft w/clamp and swivel	81	97504	1	Grommet, thermostat
29	1727	1	Plastic rivet	82	97068-1	1	Thermostat
30	1969	1	Fill hd screw, 1/4 - 20 x 3/4	83	97067	1	Thermostat cover gasket
31	1556	2	Fill hd screw w/lockwasher, 10 - 24 x 3/8	84	97066-1	1	Thermostat cover
32	405457	2	Pivot screw	85	1069	3	Fill hd screw, 10 - 24 x 1 1/16
33	K405020	1	Swivel w/screw and nut	86	97275	1	Fitting, thermostat
34	1969	1	Fill hd screw, 1/4 - 20 x 3/4	87	97772	2	Clamp
35	269952	2	Shift arm bearing	88	311247	1	Water tube, thermostat
36	7004	1	Stop nut, 7/16 - 20	89	141275	1	Fitting, thermostat
37	A433876	1	Shift arm w/clamp and swivel	90	1972	5	Hex hd screw, 1/4 - 20 x 2 1/2
38	1654	2	Fill hd screw, 6 - 32 x 7/8	91	901834	1	Lead wire clip
39	84449	1	Switch, neutral interlock	92	1773	4	Hex slot hd screw, 1/4 - 20 x 1 1/2
40	1136	2	Flat hd screw, 1/4 - 20 x 1	93	97152-6	1	Exhaust port cover
41	1198	2	Hex slot hd screw, 1/4 - 20 x 1	94	40154-3	3	Exhaust port plate gasket
42	85610	1	Bearing	95	40151-1	1	Exhaust port plate
43	A433471	1	Cylinder drain cover	96	311999-1	1	Spacer, exhaust cover
44	93472-1	1	Cylinder drain cover gasket	97	366314	1	Fitting
45	1286	2	Pan hd screw, 4 - 40 x 3/16	98	S433758	1	Hose w/check valve
46	8003	2	Plain washer	99	A213314-1	1	Elbow w/metering cup
47	93920	2	Cylinder drain reed stop	100	8545	1	Spring pin
48	18160-1	2	Reed, cylinder drain		269122	1	Crankcase parting line seal (not shown)
49	2A433757	1	Cylinder drain reed plate w/reeds, reed stops, screws and screen		G1008	1	Gasket set (not shown)
50	93811	2	Screen, cylinder		K-746	1	Engine touch-up paint, spray bomb, Olive Gold Enamel
51	93748-1	1	Cylinder drain reed plate gasket		K-737	1	Engine touch-up paint, spray bomb, Frost White Flat
52	8559	2	Dowel pin		C435010	1	Cylinder complete, includes all items marked with an asterisk (*). Also refer to crankshaft page.
53	A435010	1	Cylinder w/crankcase cover, deflector plate and screws				

POWER HEAD

**MODEL
VWB-27255
VWB-27256**



CRANK SHAFT AND PISTON GROUP

ILLUS. NO.	PART NO.	QTY.	DESCRIPTION
1	* A435260	1	Piston ring set (6 per set)
2	* 435015	2	Piston w/piston pin bearing
3	* 40017-1	2	Piston pin
4	* S366016-3	2	Connecting rod w/cap and screws
5	* 85634	4	Connecting rod screw
6	* A85228	3	Bearing cage w/rollers (16 per set)
7	* 40146-1	2	Crankshaft seal
8	* 90014	1	Crankshaft lower main bearing
9	* A311018-2	1	Crankshaft w/bearing
10	* A40655	1	Crankshaft center main bearing w/snap ring
11	* 40410	1	Snap ring
12	366277	1	Bearing cage gasket
13	2A380144	1	Crankshaft bearing cage w/gasket
14	335217	2	Bearing piston pin
15	90096	4	Piston pin retainer
16	366215	4	Spacer
17	1948	4	Flat hd screw w/lockwasher, 1/4 - 20 x 7/8
18		1	Crankshaft thrust bearing upper, not sold separately, contact factory for authorization to return crankshaft to factory for bearing replacement.

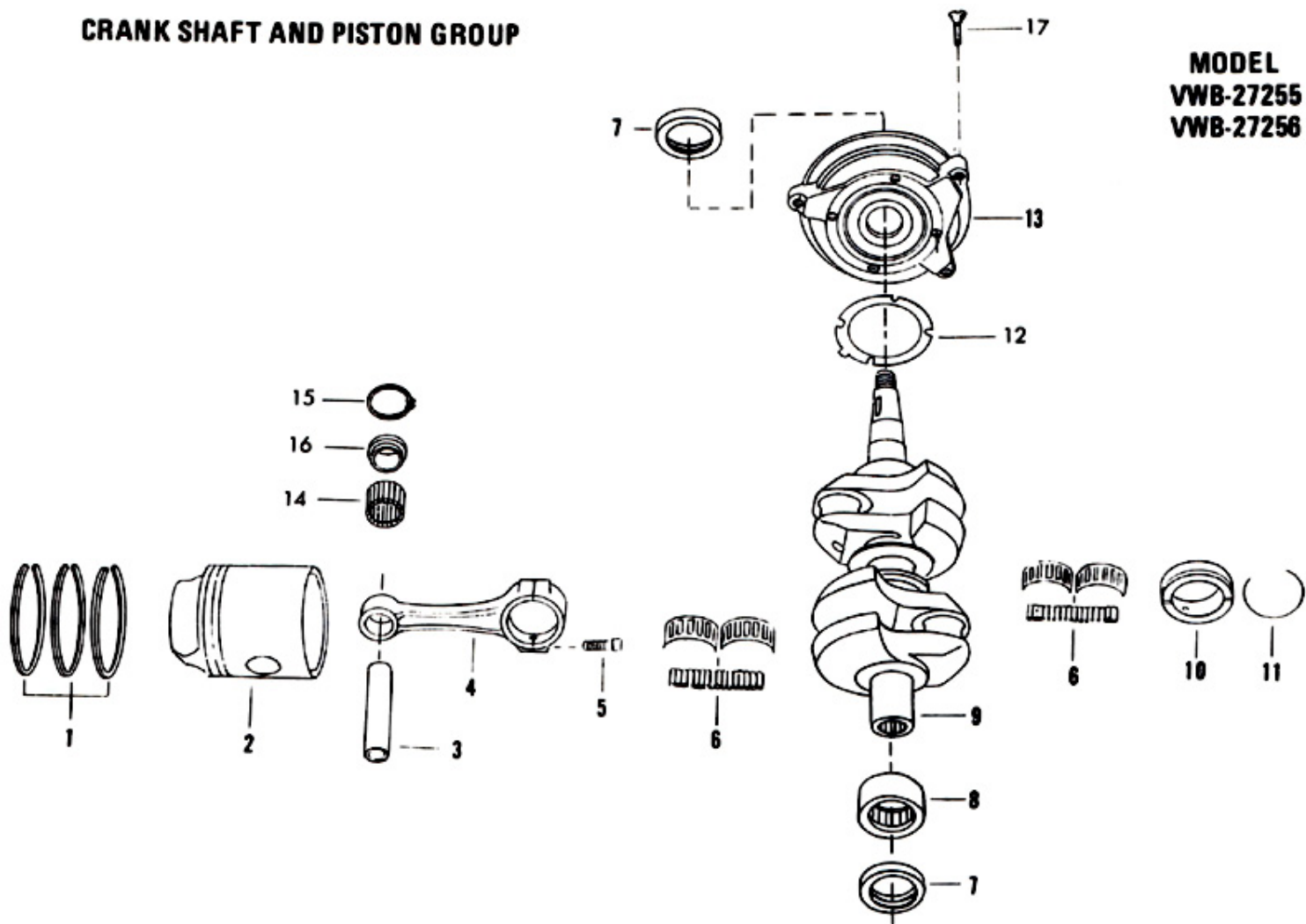
* Indicates Contents of Cylinder Complete. Also Refer to Power Head Page.

REED PLATE

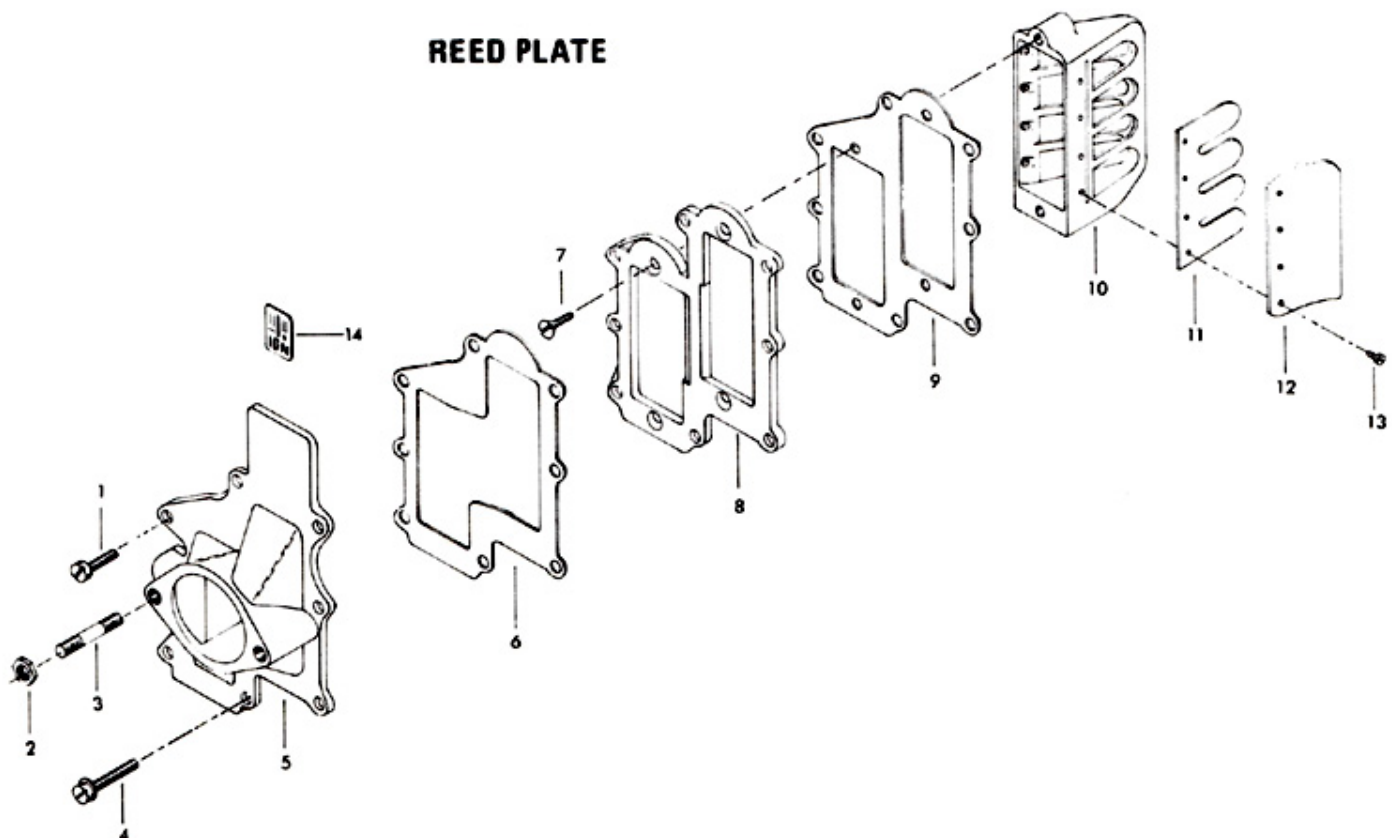
ILLUS. NO.	PART NO.	QTY.	DESCRIPTION
1	1240	4	Hex hd screw, 1/4 - 20 x 7/8
2	1516	2	Hex nut, 5/16 - 18
3	40209	2	Carburetor stud
4	1240	4	Hex hd screw, 1/4 - 20 x 7/8
5	A433167	1	Carburetor adapter flange
6	433168	1	Carburetor adapter gasket
7	1141	4	Flat hd screw, 10 - 24 x 1/2
8	433404	1	Deflector plate
9	433406	1	Deflector plate gasket
10	A433158	2	Reed plate w/reeds, stops and screws
11	335160	4	Reed
12	88161-3	4	Reed stop
13	1298	16	Rd hd screw w/lockwasher, 6 - 32 x 1/4
14	452387	1	Decal, timing

CRANK SHAFT AND PISTON GROUP

MODEL
VWB-27255
VWB-27256



REED PLATE

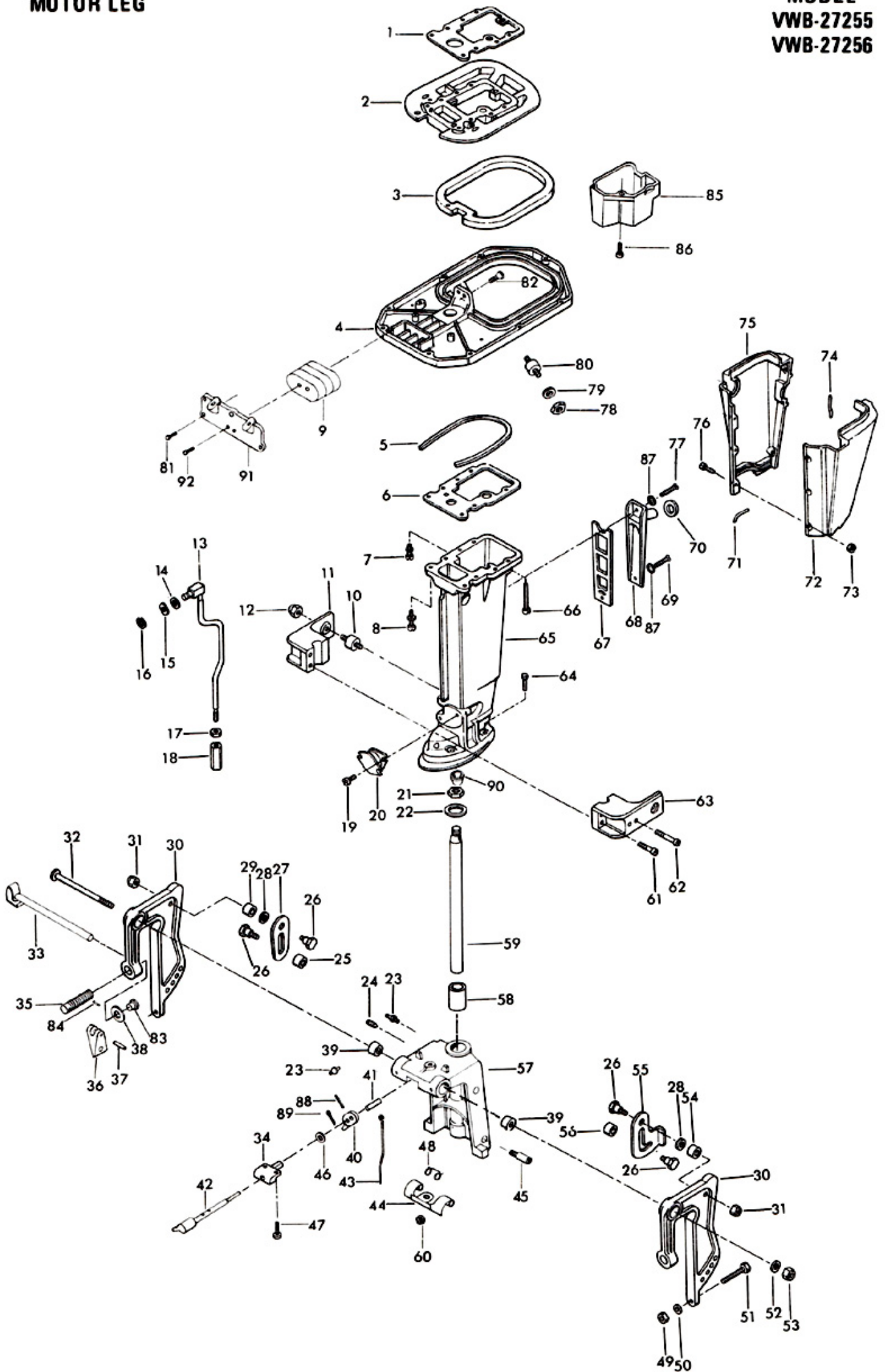


MOTOR LEG

ILLUS. NO.	PART NO.	QTY.	DESCRIPTION
1	307279-1	1	Cylinder exhaust gasket upper
2	K307680-1	1	Spacer plate
3	307989	1	Seal, kingpin plate
4	307940	1	Kingpin plate
5	307025	1	Dampening pad
6	307453-2	1	Cylinder exhaust gasket lower
7	1946	2	Flanged 12 pt. screw, 5/16 - 18 x 1 3/4
8	1947	6	Flanged 12 pt. screw, 5/16 - 18 x 2
9	203965	1	Shock mount upper
10	215962	2	Shock mount side lower
11	433972	1	Shock mount lower cover, starboard
12	1326	2	Acorn nut, S.S., 5/16 - 18
13	307615	1	Gear shift rod upper
14	1739	1	Plain washer
15	8049	1	Bowed spring washer
16	185764	1	Retainer ring
17	1349	1	Hex nut, S.S., 5/16 - 18
18	141704	1	Gear shift rod coupling
19	1129	4	Fill hd screw, S.S., 5/16 - 18 x 1/2
20	183346	1	Shock mount, lower
21	84280	1	Kingpin nut
22	89011	1	Swivel bracket washer
23	213274	3	Grease fitting
24	1817	1	Socket hd set screw, oval point, 5/16 - 18 x 5/16
25	269929	1	Spacer, tilt stop
26	366350	4	Tilt stop pivot
27	366433	1	Tilt stop, starboard
28	1666	2	Bowed spring washer
29	269929	1	Spacer, tilt stop
30	366532-1	2	Stern bracket w/clamp screw
31	7007	4	Hex nut
32	366037	1	Stern bracket pivot bolt
33	A366113	1	Stern bracket lock bar w/handle
34	366884	1	Bearing
35	A338073	2	Clamp screw w/foot
36	53075-1	2	Clamp screw handle
37	1638	2	Spring pin
38	24074	2	Screw foot
39	366386	2	Stern bracket friction washer
40	366364	1	Arm, reverse lock
41	369884	1	Bearing, reverse lock shaft
42	366827	1	Handle and shaft
43	366510	1	Link, reverse lock
44	366349	1	Reverse lock
45	366886	2	Pin, reverse lock
46	8094	1	Plain washer
47	1733	2	Pan hd screw, 10 - 24 x 9/16
48	366300	2	Reverse lock spring
49	1346	2	Hex nut, S.S., 3/8 - 16
50	1904	2	Plain washer
51	1593	2	Hex hd screw, S.S., 3/8 - 16 x 3
52	1656	1	Plain washer
53	7001	1	Elastic stop nut
54	269929	1	Spacer, tilt stop
55	366426	1	Tilt stop, port
56	269929	1	Spacer, tilt stop
57	A367072-1	1	Swivel bracket w/bearings and grease fitting
58	191169-1	2	Swivel bracket bearing
59	A433019	1	Kingpin w/welch plug
60	1669	1	Stop nut
61	1636	2	Hex socket hd cap screw, S.S., 3/8 - 16 x 1 1/4
62	1635	2	Hex socket hd cap screw, S.S., 3/8 - 16 x 3 1/2
63	433973	1	Shock mount lower cover, port
64	1929	4	Hex hd cap screw, S.S., 3/8 - 16 x 1 9/16
65	366133	1	Motor leg
66	1905	1	Fill hd screw, 1/4 - 20 x 7/16
67	40833-4	1	Motor leg exhaust cover gasket
68	89832-2	1	Motor leg exhaust cover
69	1199	1	Hex hd screw, 1/4 - 20 x 1
70	89504	1	Grommet, motor leg exhaust cover
71	89323	2	Packing, leg cover lower
72	89135-4	1	Motor leg cover, port
73	1473	6	Hex nut, 10 - 24
74	89323	2	Packing, leg cover upper
75	89145-4	1	Motor leg cover, starboard
76	1088	6	Fill hd screw, 10 - 24 x 9/16
77	1849	1	Hex hd screw, S.S., 1/4 - 20 x 1 3/8
78	1346	2	Hex nut, 3/8 - 16
79	8038	2	Plain washer
80	307962	2	Shock mount
81	1502	5	Hex cap screw, 1/4 - 20 x 5/8
82	1160	2	Flat hd screw, 1/4 - 28 x 5/8
83	66380	2	Stud
84	8557	2	Spring pin
85	307660-1	1	Tube, leg exhaust
86	1851	3	Fill hd screw w/lockwasher, 10 - 24 x 1/2
87	8083	2	Spring lockwasher
88	1836	1	Spring pin
89	1014	1	Cotter pin
90	1880	1	Plastic plug
91	433946	1	Cover, shock mount upper
92	1211	2	Hex hd screw w/spring lockwasher, 1/4 - 28 x 5/8
	452390	1	Decal, reverse lock (not shown)

MOTOR LEG

MODEL
VWB-27255
VWB-27256

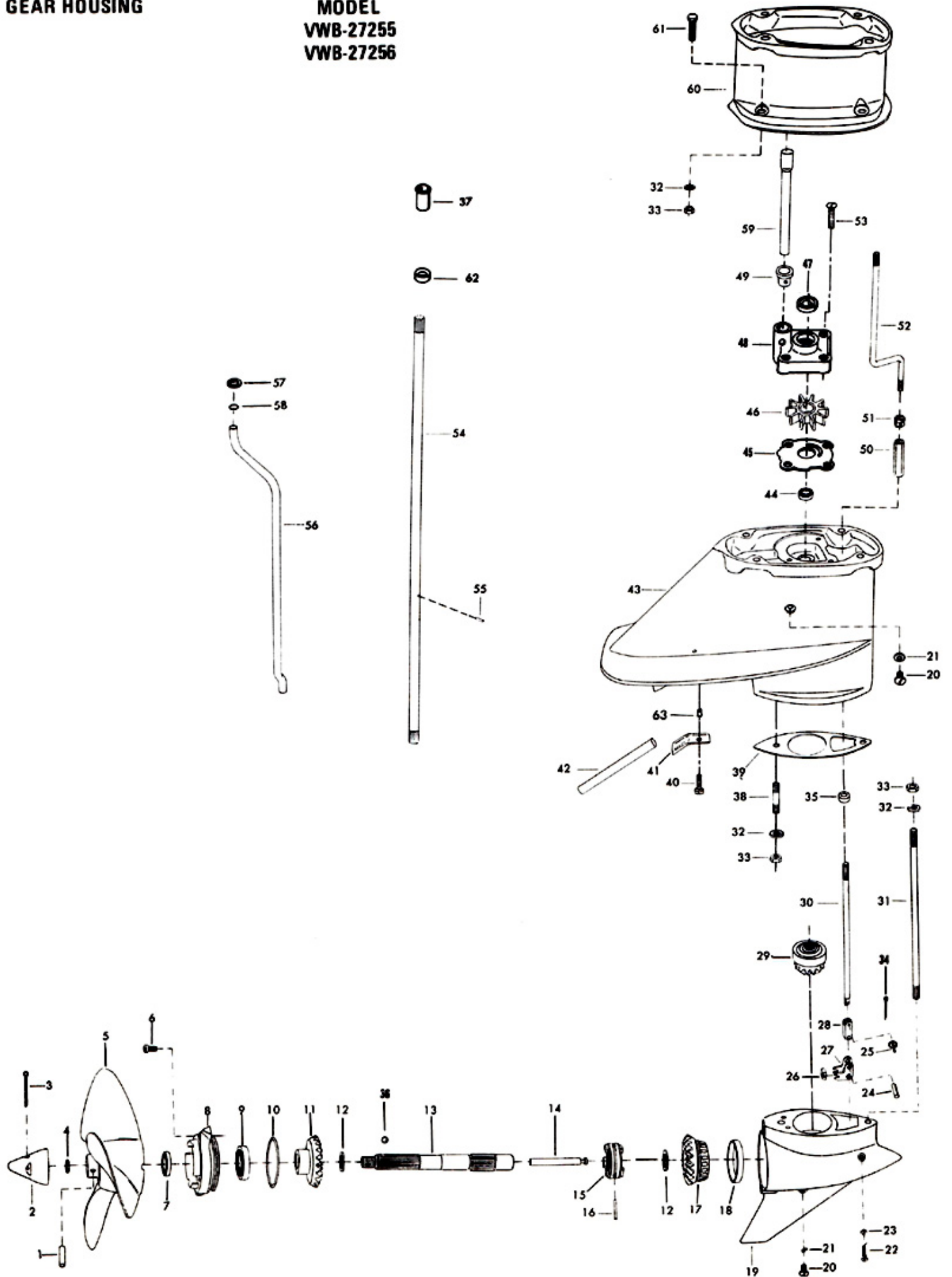


GEAR HOUSING

ILLUS. NO.	PART NO.	QTY.	DESCRIPTION
1	K-247	1	Propeller pin, pack of 6 w/cotter pin
2	A94094-1	1	Propeller nut w/seal and cotter pin
3	1027	1	Cotter pin, S.S., 1/8 - 1 1/2
4	40342	1	Seal, propeller nut
5	P293	1	Propeller (Accessory Item)
6	* 1263	2	Hex socket hd cap screw, S.S., 5/16 - 18 x 9/16
7	141118	1	Seal, propeller shaft
8	* A366298	1	Propeller shaft bearing cage w/bearing and seal
9	* 366058	1	Ball bearing, propeller shaft
10	* 141305	1	Seal, propeller shaft bearing cage
11	* A99662	1	Bevel gear rear w/bushing
12	* 40717	2	Thrust washer, bevel gear
13	* A287098-1	1	Propeller shaft
14	* 90871-2	1	Gear shift pin w/yoke
15	* 99521	1	Clutch
16	* 8568	1	Spring pin
17	* A99023	1	Bevel gear front w/bearing
18	* 40250	1	Propeller shaft thrust bearing cap
19	* A141054-1	1	Gear housing lower w/plug, washer, and thrust bearing cup
20	* 50109	2	Plug, gear housing
21	* 8077	2	Washer, gear housing plug
22	* 90891	1	Gear shift arm pin
23	* 8001	1	Nyltite washer
24	* 8554	1	Spring pin
25	* 90372-1	1	Pin
26	* A90871-2	1	Gear shift arm yoke w/pin
27	* A90621	1	Gear shift arm w/bushing
28	* 90263-1	1	Coupling, shift arm
29	* 2A46266	1	Bevel pinion w/bearing
30	* 511705-1	1	Gear shift rod lower
31	97008-1	1	Stud, long
32	8065	6	Lockwasher, S.S.
33	1346	6	Hex nut, S.S., 3/8 - 16
34	1015	1	Cotter pin
35	338618-1	1	Seal, shift rod lower
36	366727	1	Ball, prop shaft
37	338129-1	1	Boot
38	40008	1	Stud, short
39	40555	1	Gasket, gear housing
40	1055	1	Fill hd screw, S.S., 1/4 - 20 x 1
41	40706-1	1	Inlet water plate
42	40773	1	Inlet water tube
43	A338554-1	1	Gear housing upper w/seal, washer, plug and inlet water tube
44	40307-2	1	Seal, driveshaft
45	341562	1	Water pump back plate
46	40065-1	1	Water pump impeller
47	349307	1	Water pump driveshaft seal
48	A341060	1	Water pump body w/seal
49	93914	1	Seal, inlet water line lower
50	331704	1	Coupling, gear shift rod, lower
51	331273	1	Coupling
52	311616	1	Gear shift rod intermediate, for standard leg
	312616	1	Gear shift rod intermediate, for long leg
53	1149	4	Flat hd screw, S.S., 1/4 - 20 x 1 1/4
54	A191128-1	1	Driveshaft for standard leg
	A89128-1	1	Driveshaft for long leg
55	901563	1	Water pump impeller drive pin
56	141244	1	Inlet water line
57	40342	1	Seal
58	8042	1	Plain washer
59	S40244-1	1	Inlet water line extension
60	93845-2	1	Motor leg extension
61	1477	4	Hex bolt, S.S., 3/8 - 16 x 1 9/16
62	338271	1	Retainer
63	366734	1	Spacer, water inlet plate
	C287054-1	1	Gear housing, lower, complete, includes all items marked with an asterisk (*).

GEAR HOUSING

MODEL
VWB-27255
VWB-27256

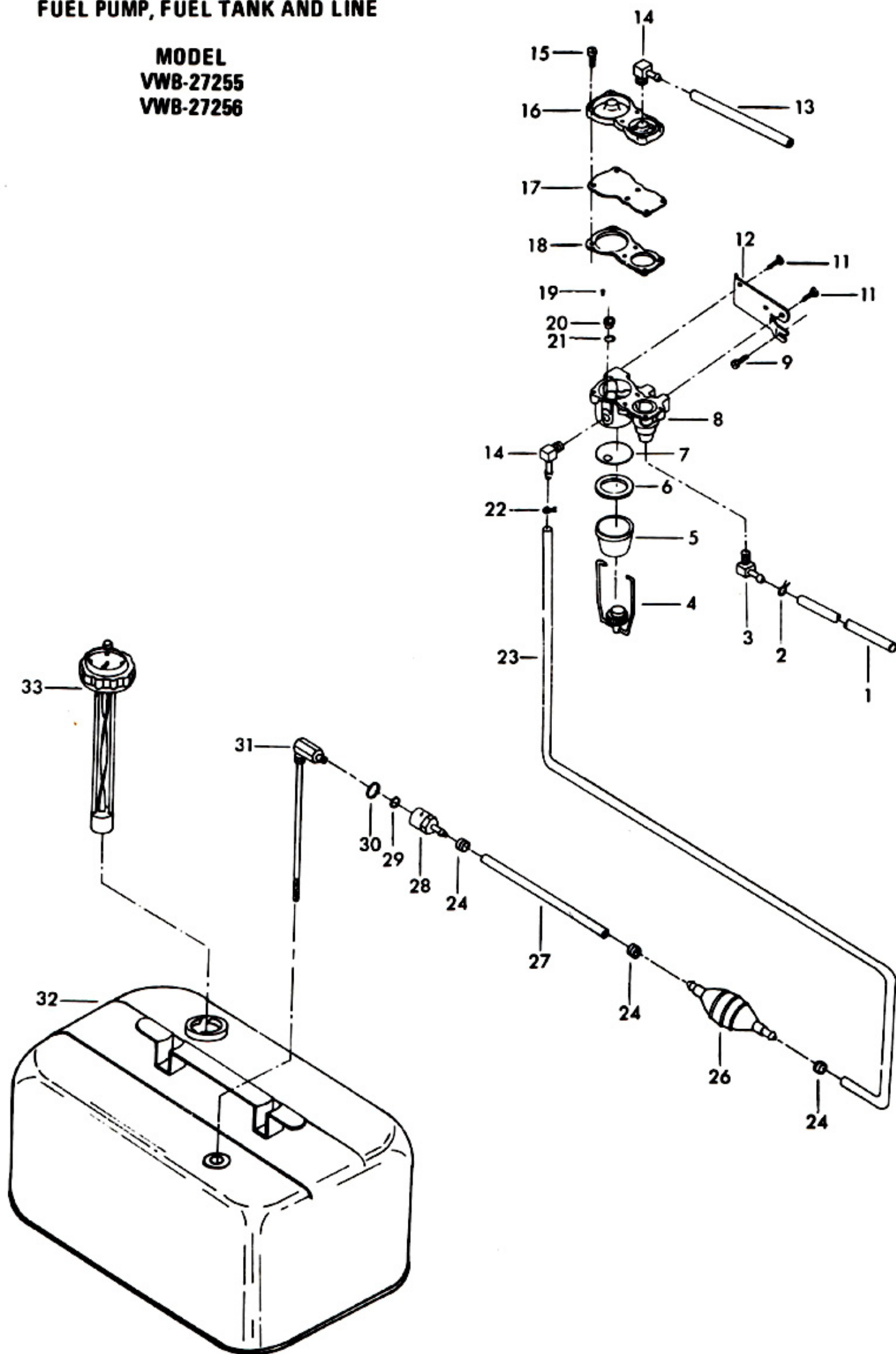


Fuel Pump, Fuel Tank and Line

ILLUS. NO.	PART NO.	QTY.	DESCRIPTION
1	433754	1	Fuel line, pump to carburetor
2	2706772	2	Fuel line clamp
3	40314-1	1	Elbow
4	A89650	1	Fuel sediment bail and nut
5	89500	1	Fuel sediment bowl
6	84617	1	Fuel sediment bowl gasket
7	84653	1	Fuel sediment bowl screen
8	A177431-2	1	Fuel pump body w/valves
9	1578	1	Hex slot hd screw, 1/4 - 20 x 7/8
11	1241	3	Hex hd screw, 1/4 - 20 x 9/16
12	311432	1	Fuel pump mounting bracket
13	89758	2	Fuel pump air hose
14	84314-1	3	Elbow
15	1050	6	Fill hd screw, 10 - 24 x 1
16	84746	1	Fuel pump cover
17	A84747	1	Fuel pump diaphragm w/gasket
18	84760-1	1	Fuel pump gasket
19	1860	2	Rd hd screw, 6 - 32 x 1/4
20	177330	3	Fuel pump valve
21	84792	3	Fuel pump valve gasket
22	97772	3	Fuel line clamp
23	A197752-1	1	Fuel line long w/clamps
24	298788	3	Ferrule
26	S387766-1	1	Fuel line prime bulb
27	A84754-1	1	Fuel line w/clamps
28	197787-2	1	Fuel line coupler
29	213735	1	Seal, fuel line coupler (small)
30	213342	1	Seal, fuel line coupler (large)
31	311755-2	1	Fuel tank adapter
32	9273	1	Fuel tank (Accessory Item)
33	213251	1	Fuel tank gauge cap
	A178752	1	Fuel supply line complete w/coupler
	224394-3	1	Decal, fuel mixture (not shown)

FUEL PUMP, FUEL TANK AND LINE

MODEL
VWB-27255
VWB-27256



Specifications

HORSEPOWER -- 55 O.B.C. Certified Brake H.P. at 5250 R.P.M.

MOTOR -- Two-Cycle Twin Cylinder Alternate Firing.

BORE AND STROKE -- 3 3/16" Bore x 2.800" Stroke.

DISPLACEMENT -- 44.7 Cubic Inches.

CONNECTING RODS -- Forged Nickel Steel. Caged Needle Bearings at Crankshaft. Cased Needle Bearings at Piston Pin.

CORROSION PROTECTION -- Lyfanite Treated Castings Stainless Steel Drive Shaft, Propeller shaft. Gear Shift Rod and Underwater Fasteners.

CRANKSHAFT -- Forged Nickel Steel.

STARTER -- Electric, 12 Volt.

FUEL TANK -- Separate Steel Tank, 6 U.S. Gallons

FUEL SYSTEM -- Vacuum Type Fuel Pump. Float Feed Carburetor with Fixed High Speed Jet and Adjustable Low Speed Jet.

FUEL FILTERS -- Filter Screens in Fuel Tank and Fuel Pump.

COOLING -- Water Cooled. Thermostatically Controlled. Positive Displacement Type Water Pump.

TRANSOM HEIGHT -- 15" or 20" Depending on Models.

WEIGHT -- From 134-142 Lbs. for Standard Shaft Models.

TILT LOCK -- Positive Tilt Lock Permits Engine to remain in Tilted Position When Not In Use.

RECOMMENDED OPERATING RANGE -- 5000-5500 RPM.

Lubrication Chart

LOWER GEAR HOUSING -- Check After Every Thirty (30) Hours of Operation and Replace After Every 100 Hours with a Non-Corrosive Leaded Outboard Gear Oil - EP90, such as Wards Sea King Hypoid Outboard Gear Oil - #60-9118 or equivalent. DO NOT USE A CORROSIVE HYPOID OIL UNDER ANY CIRCUMSTANCES.

CONTROL LINKAGE -- Lubricate All Moving Parts and Control Linkage with Riverside Two-Cycle Engine Oil or SAE 30 Oil Twice Each Season or Oftener if Required.

STERN BRACKET -- Lubricate Stern Bracket and Associated Parts with Riverside Two-cycle Engine Oil or SAE 30 Oil Twice each Season or Oftener if Required.

GREASE FITTINGS -- Grease Fittings Are Provided at Critical Points Where Bearing Surfaces are Not Exposed Externally. Using an Automotive Type Grease Gun and Lubricant, Grease Twice Each Season or Oftener if required.

STARTER PINION GEAR -- Lubricate With Rykon #2 EP, Part No. T2961, Twice Each Season or Oftener if Required.

Special Adjustments

BREAKER POINT GAP -- .020"

SPARK PLUG -- Champion (L-4-J), Gap .030".

FLYWHEEL NUT -- Torque to 70 Foot Pounds.

CYLINDER HEAD BOLT -- Torque to 270 Inch Pounds.

POINT OF THROTTLE OPENING -- With the Throttle Cam Follower Roller on the Index Mark of the Throttle Cam and all Slack Removed From the Linkage, There will be .010" to .020" Clearance between Cam and Roller.